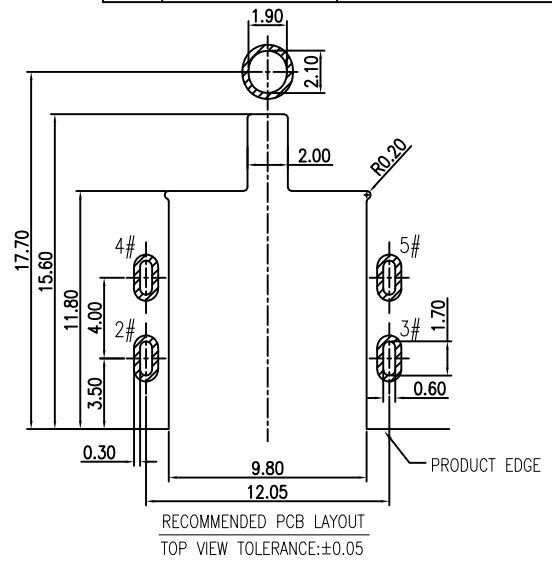
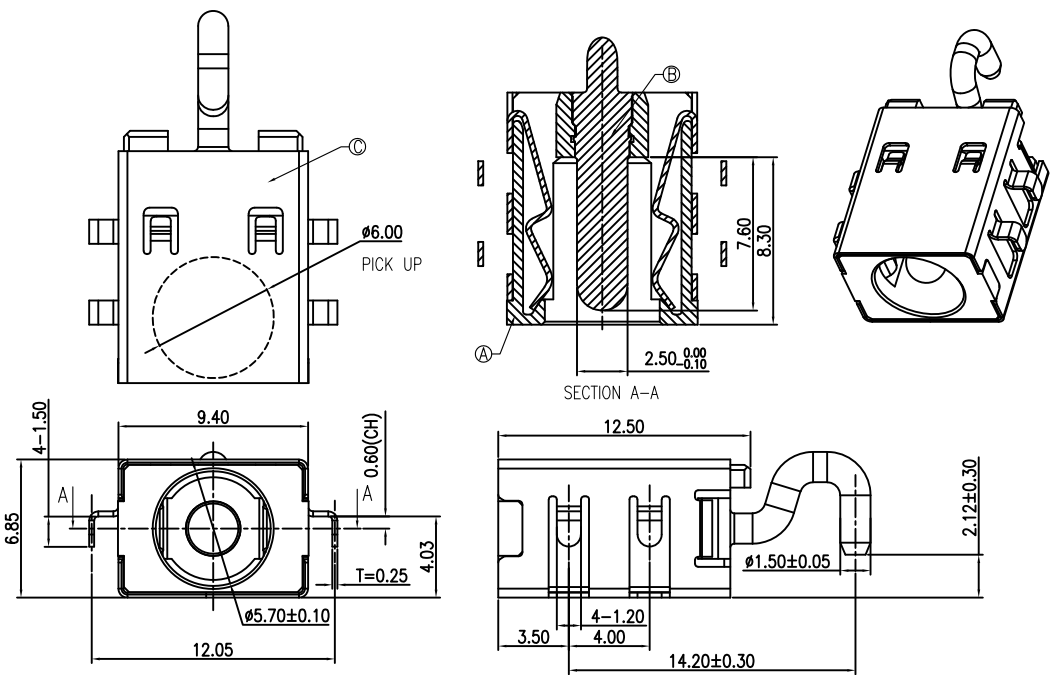
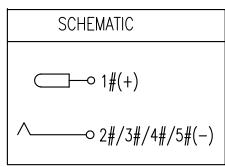
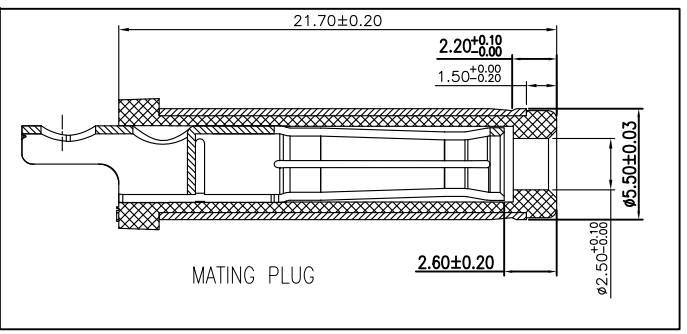




REV	EC No.	DESCRIPTION	Symbol	DATE
A	/	new release	/	Dec. 12, 2020



- SPECIFICATION:
1. RATING: DC 30V 15A
 2. CONTACT RESISTANCE:
30m Ω MAX(INITIAL).
50m Ω MAX(FINAL).
 3. INSULATION RESISTANCE: 100 M Ω MIN.
 4. WITHSTAND VOLTAGE: 500 VAC
 5. INSERTION FORCE: 30N MAX.
 6. EXTRACTION FORCE: 3N MIN.
 7. DURABILITY: 5,000 CYCLES
 8. PACKAGE: TAPE REEL, 400PCS/REEL, 4000PCS/CARTON



NO.	DESCRIPTION	MATERIAL	REMARKS	QTY
C	SHELL	C5210	Ni 40u" MIN.	1
B	CENTER PIN	BRASS	GOLD FLASH /Ni 40u" MIN.	1
A	HOUSING	PA10T	BLACK	1

For more information, please help to contact: connmold@foxmail.com Tel:18922965797			
WWW.CONNMOLD.COM		<h1>ConnMold</h1>	
DIMENSION UNITS	TOLERANCE		
MM	X ± 0.50 .XX ± 0.25 .X ± 0.35 .XXX ± 0.15	PART NAME DC JACK MID MOUNT	
DRWN:Robert	Dec.12,2020	PART NUMBER	
CHK'D:Yuri	Dec.12,2020	CMDCC661055C	
APPR:Linda	Dec.12,2020	REVISION	
THIRD ANGLE PROJECTION		CUSTOMER	
		GENERAL MARKET	
CUSTOMER P/N		SHEET NUMBER	
/		1 OF 1	