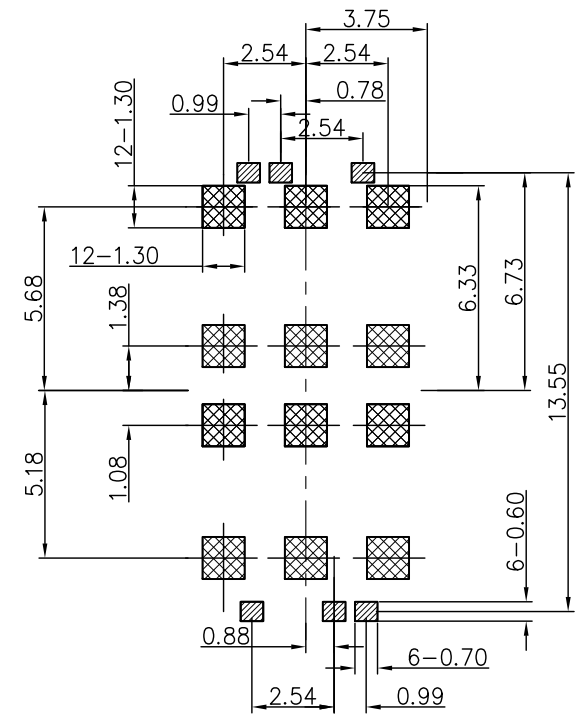
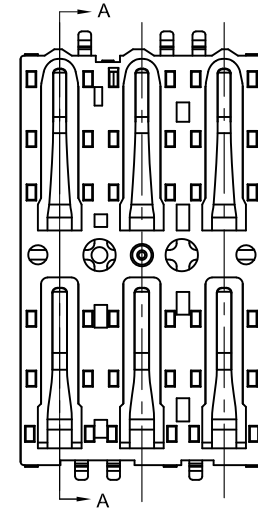
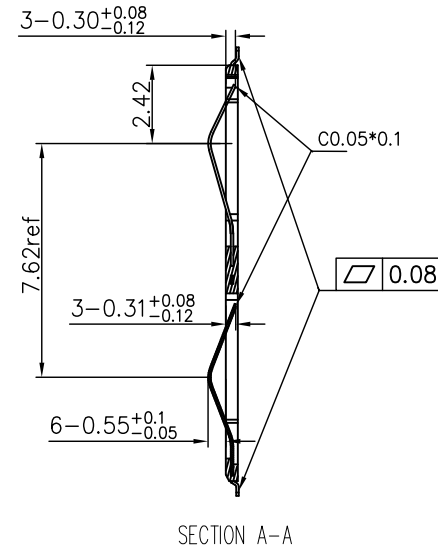
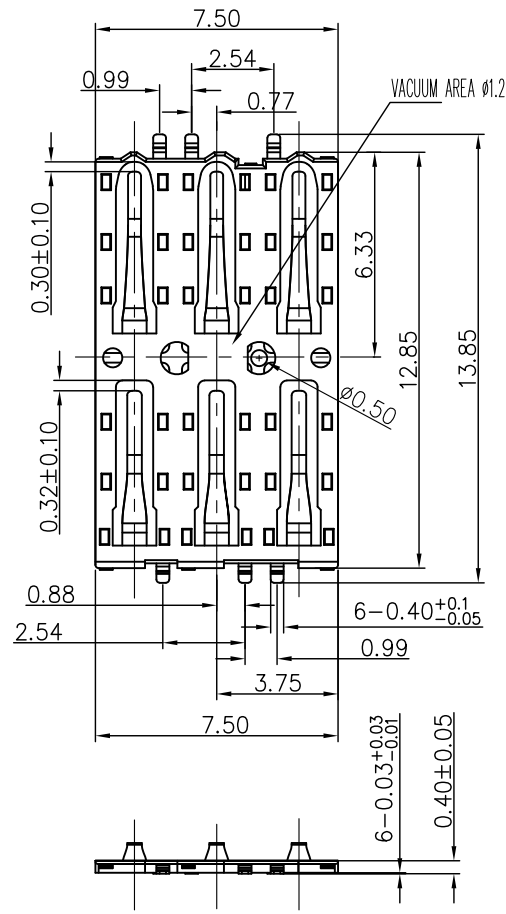




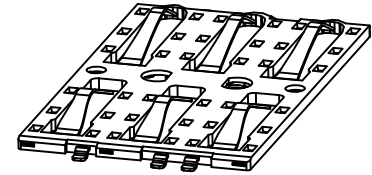
REV	EC No.	DESCRIPTION	Symbol	DATE
A	/	new release	/	Dec. 12, 2020



PAD AREA
 NO PATTERN AREA

RECOMMENDED P.C.BOARD LAYOUT (TOP VIEW)
TOLERANCES UNLESS OTHERWISE SPEC.±0.05

- NOTES:**
- MATERIAL:**
 - Housing: HI-TEMP Plastic, UL94V-0, Black;
 - Terminal: Copper alloy
 - FINISH:**
 - Terminal:
 - 3u" Au Plated on the contact area,
 - 1u" Au plated on the solder tails
 - Electrical Performance:**
 - Contact Resistance: 50mΩ Max
 - Dielectric Withstanding Voltage: 500V AC for 1 minute
 - Insulation Resistance: 1000 MΩ Min
 - Durability: 5000 cycles;
 - Package: tape reel, 2600PCS/Reel



For more information, please help to contact: connmold@foxmail.com Tel.: 18922965797			
WWW.connmold.COM		<h1>ConnMold</h1>	
DIMENSION UNITS	TOLERANCE		
MM	X±0.50 .XX±0.25 .X±0.35 .XXX±0.15	PART NAME SIM CARD BLOCK	
DRWN: Robert	Dec. 12, 2020	0.40MM HEIGHT	
CHK'D: Yuri	Dec. 12, 2020	PART NUMBER	REVISION
APPR: Linda	Dec. 12, 2020	CMSIM661020	A
THIRD ANGLE PROJECTION	CUSTOMER P/N	CUSTOMER	SHEET NUMBER
	/	GENERAL MARKET	1 OF 2